

INSTRUCTION MANUAL

for Installing

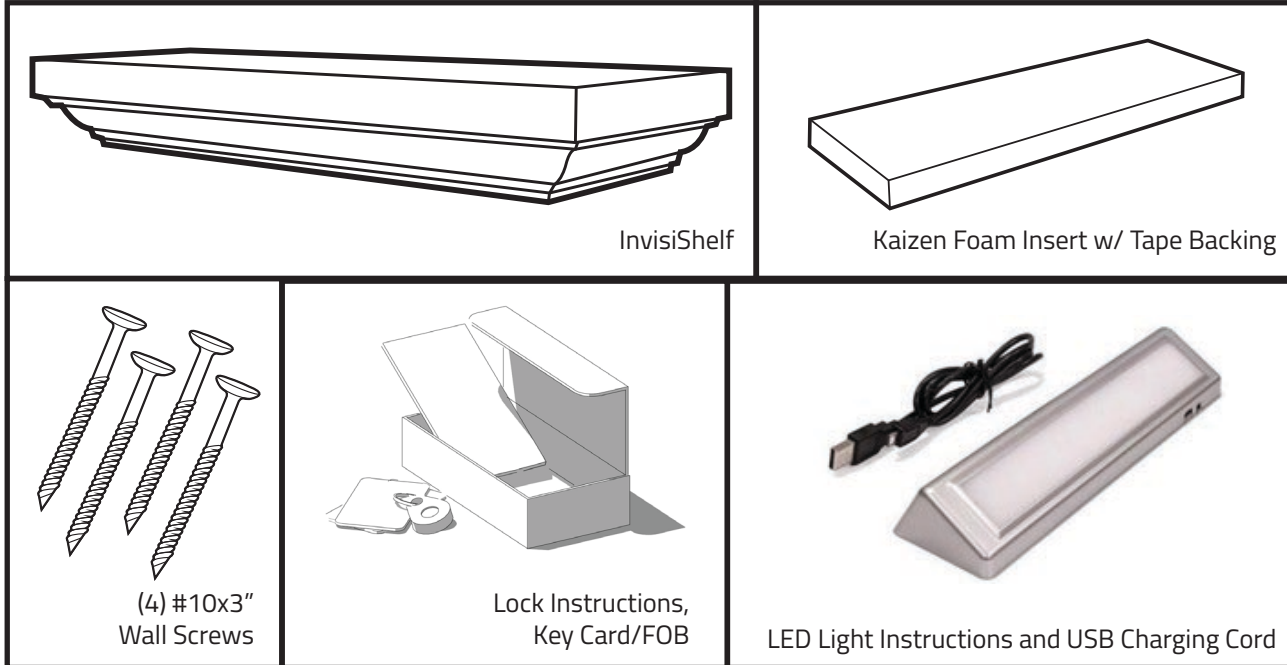
INVISISHELF

ID.CS28.01 Series

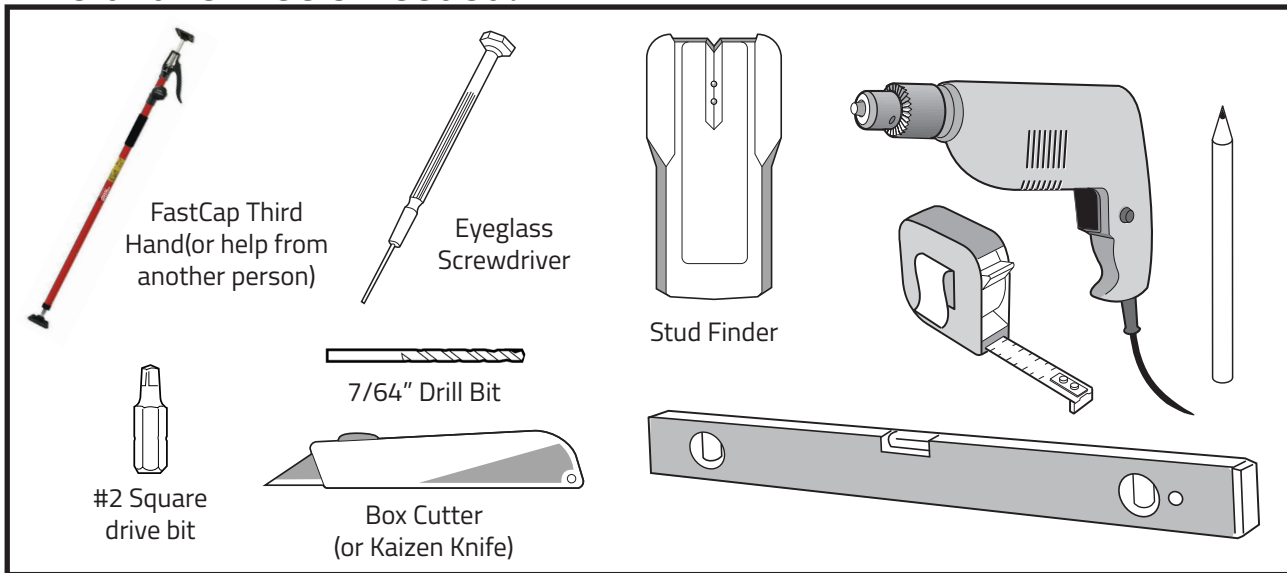


Instruction Manual for InvisiShelf Installation

Hardware Included:



Installation Tools Needed:



InvisiShelf requires installation into wall studs or wood blocking due to weight requirements. If this cannot be accomplished using existing 16" O.C. (On Center) wall studs, blocking out the wall with wood blocking or studs behind the drywall will be required to hold the proper weight of the InvisiShelf and contents within it.

Provided #10 Wall Screws are for typical wood Wall Stud application. Specific Individual Wall Applications might require different hardware or installation methods. Contact your local contractor if necessary, for proper installation.

InvisiShelf is not a replacement for a safe. It provides concealment and accessibility but not impervious to damage or too much weight. Consider decorating shelf with objects that will not be too heavy, putting strain on mounting hardware, shelf, or studs. **Consider keeping weight in and on the shelf under 30 lbs.**

Step 1: Setting Up

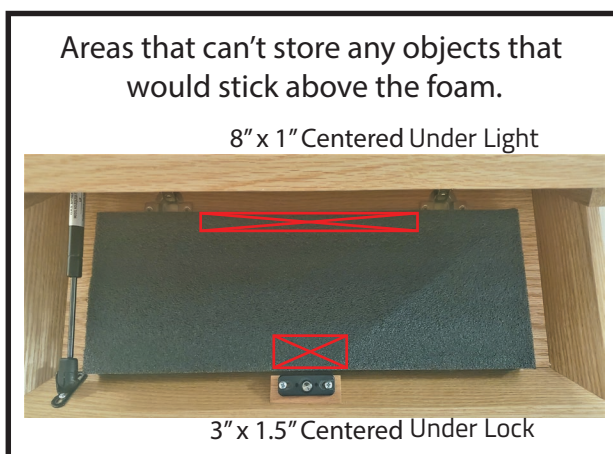
1. Remove InvisiShelf from carton. Locate Key Card and swipe over the sticker on top of the InvisiShelf. Open InvisiShelf and locate the installed light under the top shelf. Remove light by sliding it towards the front of the shelf. It should separate from installed bracket. Take it out and charge it using provided USB charging cord found inside Shelf. Reference provided LED light instructions for any additional details found inside Shelf.
2. You will find the Lock Accessory Box inside the Shelf. The Lock pre-installed into the InvisiShelf is preprogrammed to work with the provided Key Card and Key Fob used for locking and unlocking the shelf. Inside the Lock Accessories Box, you will find the Programming Key, Key Fob, and Lock Instructions. Lock will re-engage after 3 seconds to allow unit to re-lock. This battery will provide years of typical use before replacement.

When the battery becomes in need of replacement, it will emit chirps until replacement battery is installed. In the unlikely event the battery dies completely before replacement, the shelf will default to the unlock state and open. Follow the provided Lock Instructions for any further details.

DO NOT CLOSE THE SHELF WHEN THE BATTERY IS REMOVED. THE SHELF WILL LOCK PERMANENTLY WITHOUT ANY WAY TO OPEN THE SHELF.

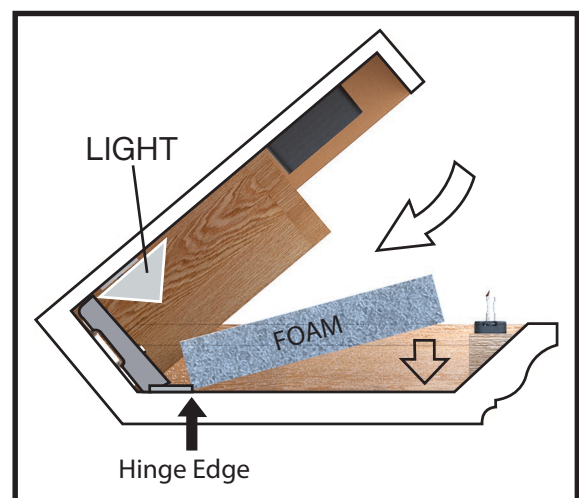
3. Locate Kaizen Black Foam Insert with Tape Backing. This Foam Insert will hold desired contents in place inside the InvisiShelf when it moves open and shut, providing quick access to your valuables or personal protection. Cut compartments or trace objects using the Kaizen Knife or Box Cutter. Make sure to cut to a suitable depth for intended belongings to fit, removing desired foam layers without cutting all the way through the foam sheet. Take note on areas in the foam where objects that protrude above the foam could interfere when the InvisiShelf is closed (*see figure 1*). There is 1" of clearance above the foam in areas outside of the sections in red for storage (*see figure 2*).

Figure 1



Red areas indicate where interference could occur.

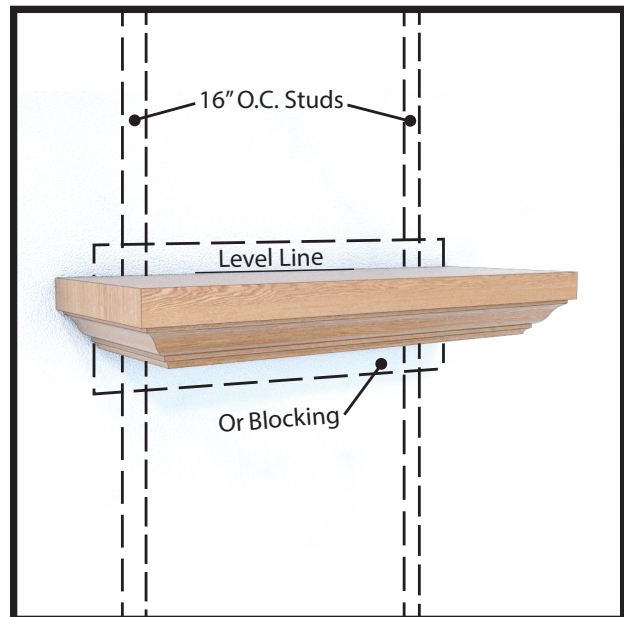
Figure 2



- Once the Kaizen Foam insert has been customized for storage, apply the foam insert (if desired) into the InvisiShelf. Unroll the tape and apply to foam insert. Peel off the paper backing to the adhesive and align the foam with even clearance side to side between the strut on the left and the wood partition on the right. Locate the far edge of the foam against the two hinge cup edges (see figure 2 on previous page). Press foam down firmly, making sure good uniform contact against the wood. Test the intended valuables in the foam to make sure there is no interference when closing the shelf, and the objects will remain secured when the shelf opens down. Remove objects until Shelf installation is complete.

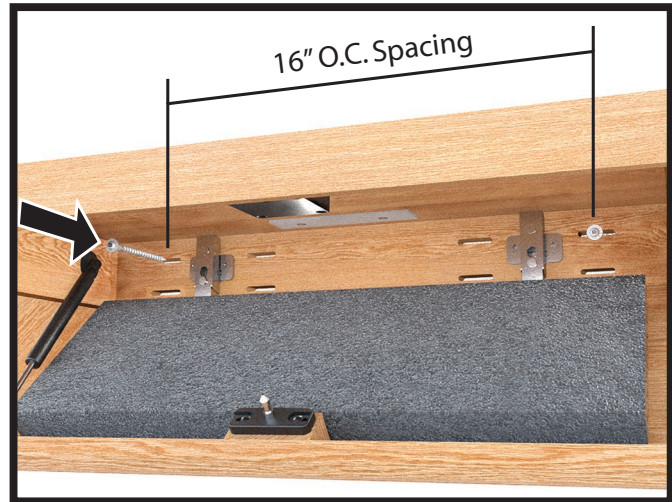
Step 2: Mounting to Wall

- Determine the location where the InvisiShelf will be mounted on the Wall. Using a stud finder, locate (2) suitable studs for installing to the Wall. Make sure both InvisiShelf slotted holes will land on existing Stud locations or Blocking behind drywall for secure installation. Outside slots in the shelf are designed for centering between typical 16" O.C. (On Center) Stud spacing.



- Consider the height of the InvisiShelf on the wall and draw level line to indicate the top of the shelf. Measure $1\frac{3}{16}$ " down from that line along the center of stud locations. Mark for drilling at the (2) 16" O.C. locations. These will be hole locations marked for the upper outer slotted holes in the back of the InvisiShelf. Pre-drill wall markings with $\frac{7}{64}$ " pilot holes 2" deep to prevent wood Wall Stud splitting or cracking when driving in Wall Screws.
- Using a second person or prop/support tool, hold the InvisiShelf open and against the wall. Place a bubble level on top of the shelf. Locate one end of the hole markings on the Wall in the upper outer hole slot of the Shelf and hold still while a #10 Wall Screw is driven through the slot into the center of the shelf stud using the Power Drill with #2 Square Drive Bit. Leave screw short of fully tightening for minor adjustments. Continue holding shelf firmly against wall until fully fastened to the wall.

8. Making sure the shelf is still fully supported by support tool or person, move to the opposite side of the shelf to install a #10 Wall screw in the opposite upper outer slot hole into the center of the wall stud. Make sure shelf is level again. Drive the screw in completely using the power drill with #2 square drive bit until screw is seated tightly against the back of the shelf to the wall.



9. Go back to the first screw, make sure the shelf is still level. Tighten the first screw tight against the back of the shelf to the wall.
10. Continue with driving the remaining (2) screws into the slotted holes below the first screws installed into the 16" O.C. studs behind the wall fully engaged against the wall.
11. Make sure shelf is tight and secure against the wall before placing anything in or on the InvisiShelf. Make sure Latch and Lock engage properly without interference. If the Latch Pin does not properly engage into Lock, make sure Latch is fastened in the proper location on the block and make any slight adjustments to the Latch location to make sure of proper engagement every time.

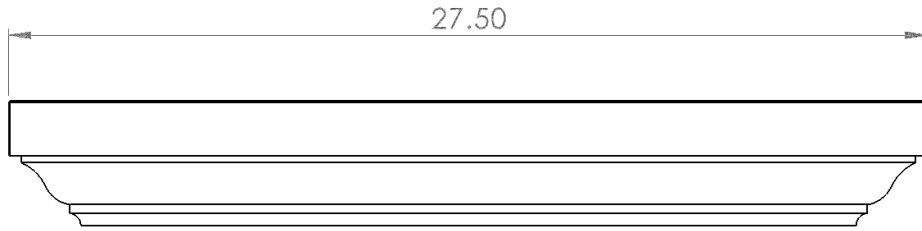


Closed

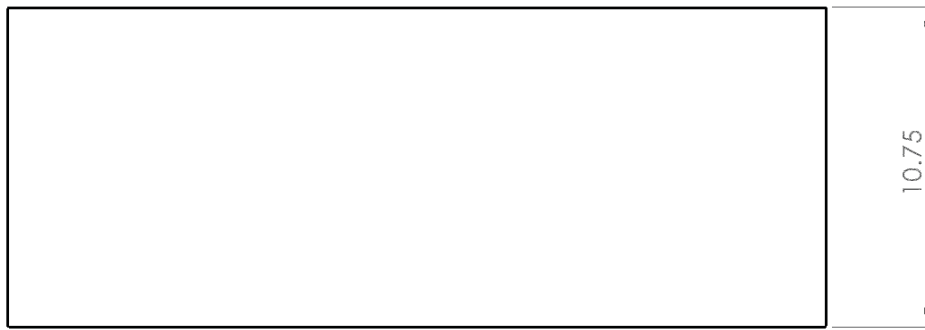


Open

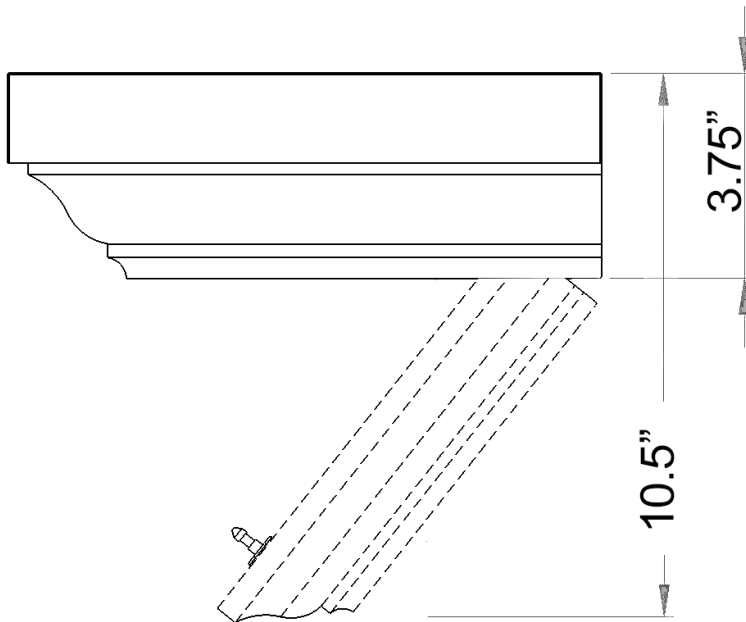
InvisiShelf Dimensions



FRONT



TOP



SIDE

Also available from CSH:



Mini Barn Door Hardware





Rolling Barn Door Hardware




Rolling Library Ladders and Ladder Hardware



 N169W21008 Meadow Ln
Jackson WI 53037

 (262) 365-7960

 cshardware.com